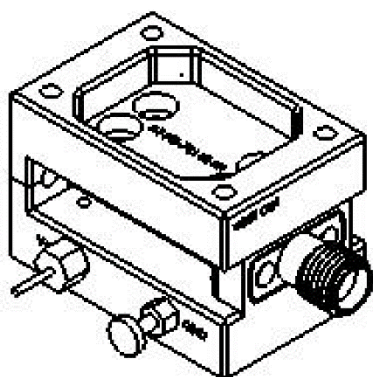


50-75GHz V Band Power Detector



Description:

AT-PD-5075-N1 is a V Band WR-15 waveguide power detector that covers frequency range from 50-75GHz.

The detector can be used as envelope detector. The envelope bandwidth is about 1GHz. The sensitivity can be up to 1500V/W at V Band. A faraday isolator can be used to improve input port VSWR.

More information, please visit www.atmicrowave.com

Feature

- ✓ Frequency: 50-75GHz
- ✓ High Sensitivity
- ✓ Max Linear -5dBm
- ✓ Envelope Detector

Application

- ✓ V Band Imaging
- ✓ FOD (Foreigner Objects Debris)
- ✓ Test Equipment
- ✓ ROF (RF Over Fiber)
- ✓ Radar System

Electronical Specifications:

Parameter	Min	Typical	Max
Frequency Range	50GHz		75GHz
Sensitivity		1500V/W	
Max Linear RF Input Power		-5dBm	
Input Power Range		-20 to -5dBm	
Output Voltage		0.8-1.9V	
Output Volage Polarity		Negative	
Envelope Bandwidth (Note)		1GHz	
Drain Voltage		+5V/2mA	
Power Handling			0dBm
Spec Temp		25C	

Note: Estimated, NO guarantee. Envelope bandwidth no test due to the test limitation.





AT-PD-5075-N1

Power Detector, 50-75GHz, Negative Slope

Mechanical Information

Item	Description
Input Port	WR-15
IF Output Port	SMA Female
Case Material	Copper
Finish	Gold Plated
Weight (Without Heatsink)	100g
Size:	TBD

Absolute Maximum Ratings Table

Parameter	Value
Drain Supply	+9V
RF Input Power	0 dBm
Operating Temperature	0 to +50C
Storage Temperature	-65 to +150C



Dimension:

Following dimension is from AT-PD-75110-N2 just for reference.
Please contact with us for exact dimension when place order.

